

F I S H E R & P A Y K E L

**ACTIVESMART™ INTEGRATED
REFRIGERATOR FREEZER**

RS36W80 and RS9120W models

DUAL INSTALLATION GUIDE

NZ AU GB IE HK SG IN US CA

CONTENTS

- ① SAFETY AND WARNINGS
- ② DUAL INSTALLATION
- ③ COMPONENTS
- ④ CAVITY DIMENSIONS
- ⑤ ATTACH BRACKET ASSEMBLY TO CAVITY
 - ⑥ ATTACH FOAM PADS
 - ⑦ REMOVE HINGE BRACKET
 - ⑧ ATTACH CAVITY BRACKET
- ⑨ POSITION INTO THE CABINERY
 - ⑩ ATTACH CENTRE TRIM
 - ⑪ INSTALL TOE KICK

① SAFETY AND WARNINGS

⚠ WARNING!

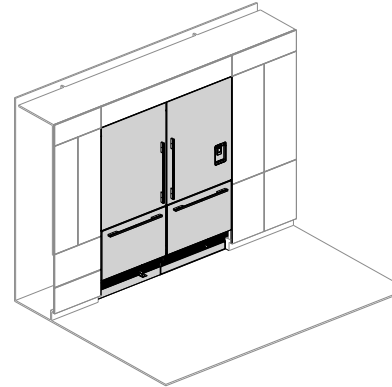


This appliance is top-heavy and must be secured to prevent the possibility of tipping forward.
To ensure that the appliance is stable under all loading conditions, the anti-tip bracket and fittings supplied must be installed according to the following installation instructions by a professional installer.

② DUAL INSTALLATION

Dual installation refers to the joining of one left hinge and one right hinge model using a joiner kit (sold separately).

- Use RS91W joiner kit to pair 1 x RS91WR model with 1 x RS91WL model.
- Use RS80 joiner kit to pair 1 x RS36WR model with 1 x RS36WL model.



RS91WR MODELS	RS91WL MODELS
RS9120WRJ	RS9120WLJ
RS9120WRU	

RS36WR MODELS	RS36WL MODELS
RS36W80RJ	RS36W80LJ
RS36W80RU	

IMPORTANT!

- Each appliance requires a water supply and shut off valve. Use a solid brass type splitter if both appliances are supplied with one water supply.
- Ensure the dual power outlet is suitable for two right angled plugs.
- Extension cords should not be used in the dual installation.
- This dual installation guide is only supplementary instructions for installing two appliances side by side. For complete installation specific to your appliance, follow the 'Installation guide' supplied with your appliance.

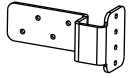
IMPORTANT! SAVE THESE INSTRUCTIONS

The models shown in this installation guide may not be available in all markets and are subject to change at any time. For current details about model and specification availability in your country, please go to our website fisherpaykel.com or contact your local Fisher & Paykel dealer.

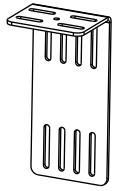
3 COMPONENTS

Dual install joiner kit

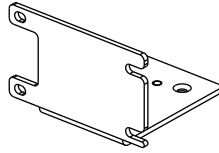
Not supplied and must be purchased separately



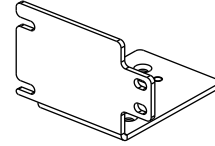
Joiner bracket
(1)



Cavity fixing bracket
(1)



Right hinge cavity bracket
(1)



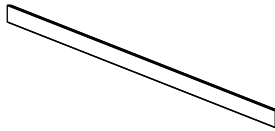
Left hinge cavity bracket
(1)



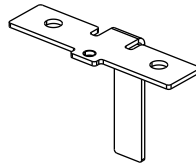
Foam pads
(6)



Centre trim
(1)



Toe kick
(1)



Bottom joiner bracket
(1)



M8 nut
(1)



Spring clips
(6)



M5x12 Socket head cap screw
(1)

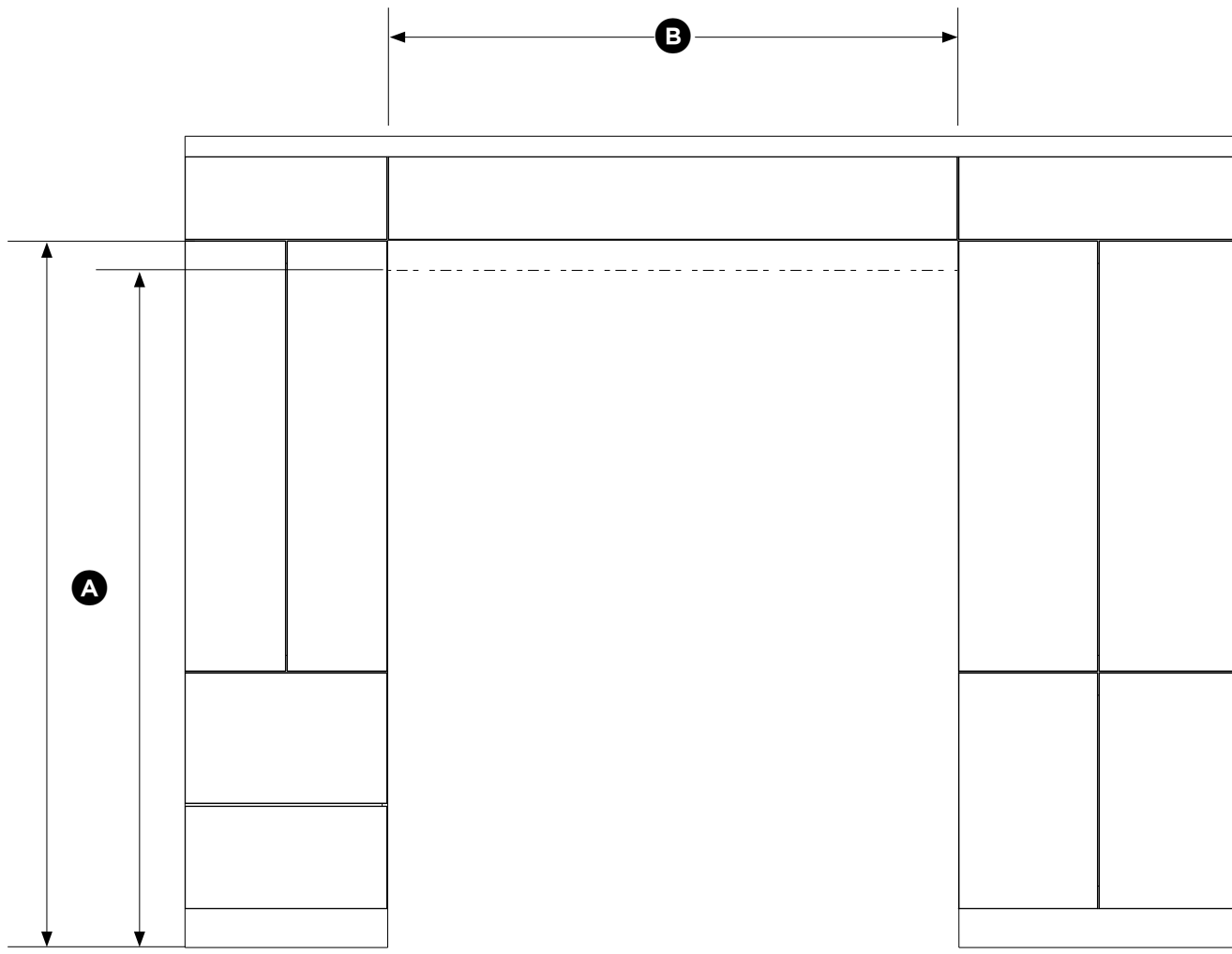


M8 set screw
(1)



8x16 mush washer screw
(5)

④ CAVITY DIMENSIONS



CAVITY DIMENSIONS	RS36W80 / RS9120W	
	in	mm
Overall height of cavity		
① for appliance using RD3680/RD9120 door panel set	84"	2134
for appliance using RD3684/RD9121 door panel set	80"	2032
② Overall width of cavity	72"	1829

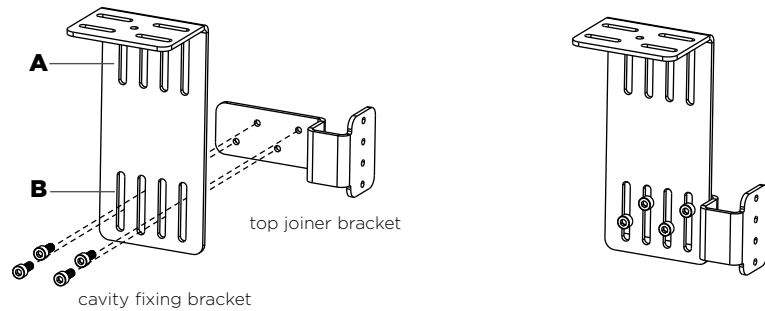
5 ATTACH BRACKET ASSEMBLY TO CAVITY

IMPORTANT!

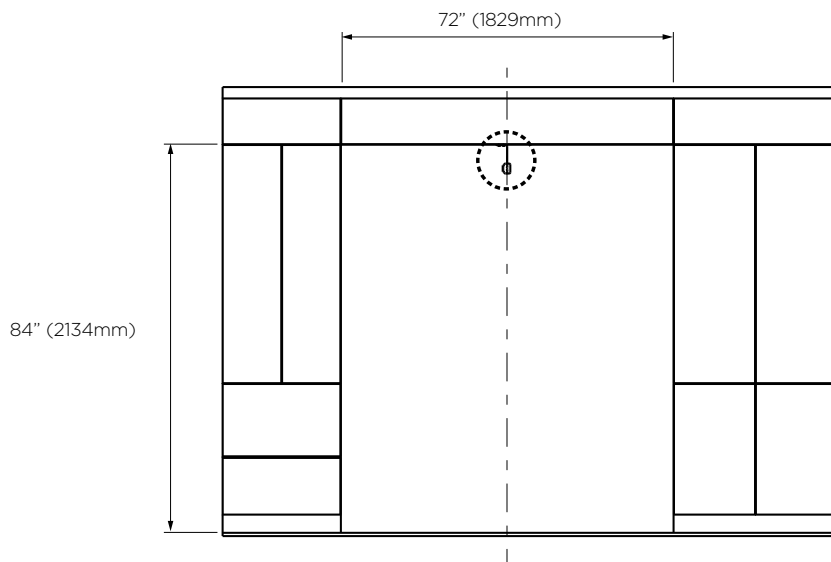
- Ensure the anti tip brackets are installed before attaching the cavity fixing bracket. Refer to separate 'Installation guide' supplied with your appliance.
- Ensure the water and power supply are already connected, and door panels installed before attaching the cavity fixing bracket.

Attach top joiner bracket and fixing bracket to cavity

- Attach the top joiner bracket to the cavity fixing bracket with M5x12 socket head cap screws.
 - For 80" (2032mm) installation, use the upper slots of the cavity fixing bracket (**A**).
 - For 84" (2134mm) installation, use the lower slots of the cavity fixing bracket (**B**).



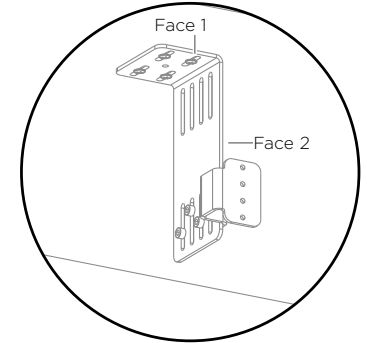
- Measure the width of the cavity. Mark a line on the ceiling along the centre of the cavity.



Note: illustration above shows cavity for RS36W84/RS912IW model.

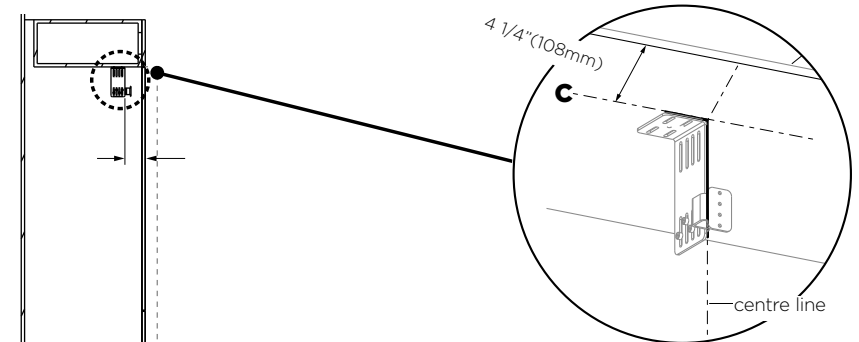
For flush installation

- Measure 4 1/4" (108mm) back from the ceiling front edge of the cavity and mark a line (**C**) across the centre line.
- Place the joiner bracket to ceiling surface.
 - Align Face 1 to the marked line (**C**).
 - Align Face 2 along the centre line of the cavity.

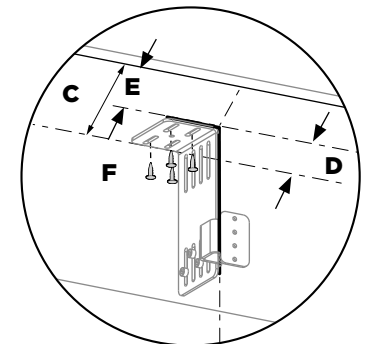


For proud installation

- Place the joiner bracket forward of the flush installation location. To determine the location,
 - Measure the depth of the door panel that protrudes from adjacent cabinetry front surface (**D**).
 - Calculate the distance (**E**) of proud installation location, $4\ 1/4'' (108\text{mm}) - D = E$



- Place the joiner bracket to the ceiling surface
 - Align Face 1 to the marked line (**E**)
 - Align Face 2 along the centre line of the cavity.
- Fix the joiner bracket with 8x16 mush washer screws (**F**). Loosely fix the screws to enable adjustment in the centre of each slot of the joiner bracket.



6 ATTACH FOAM PADS

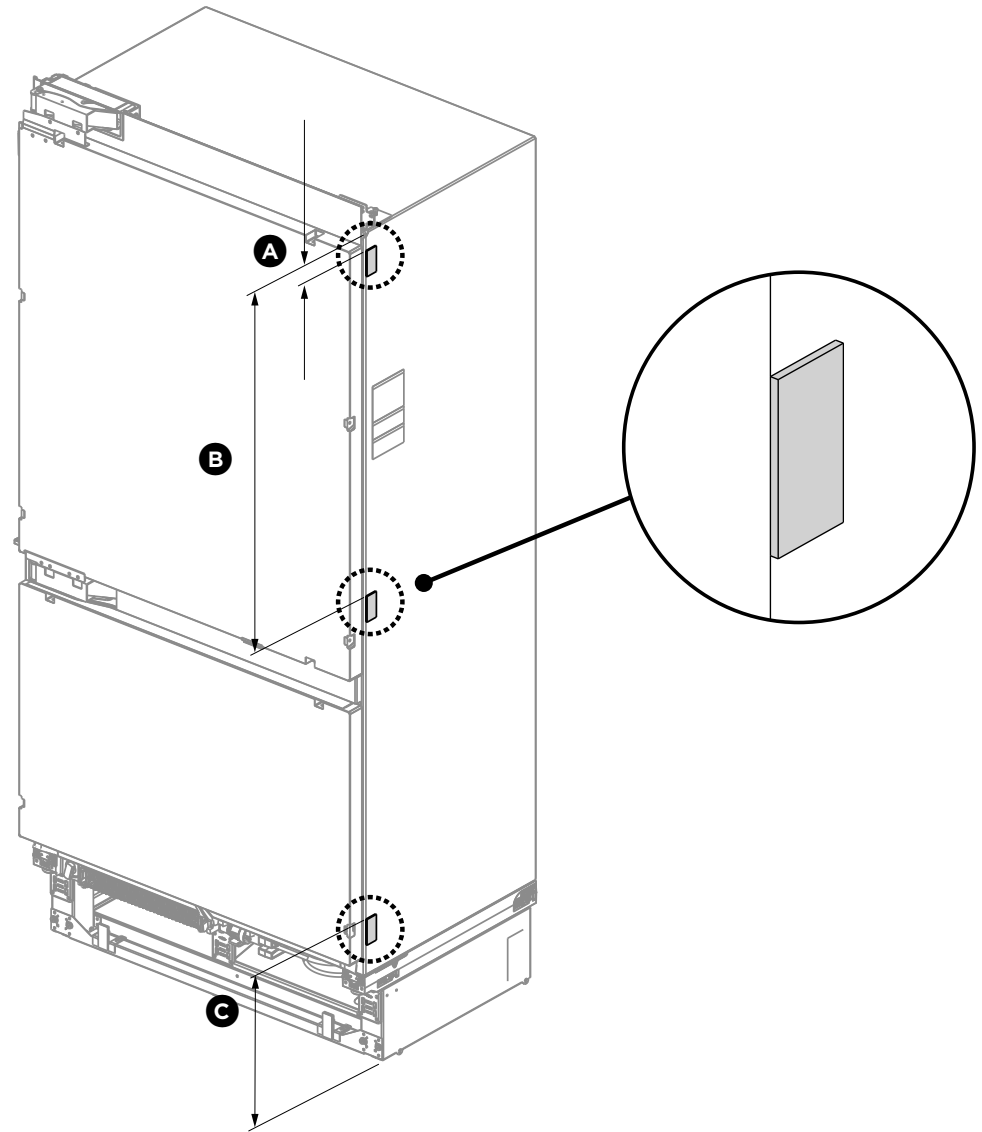
Attaching foam pads to appliance

- 1 Mark three locations along the edge of the non-hinge side of each appliance. Refer to the measurements table below.

MEASUREMENTS	in	mm
(A) Distance of first tab location from cabinet top	2"	50
(B) Distance of second tab location from cabinet top	35"	890
(C) Distance of third tab location from floor	13"	50

IMPORTANT!

Foam pads should be placed at identical heights on left and right hinge appliances to ensure good fit of joiner trim.



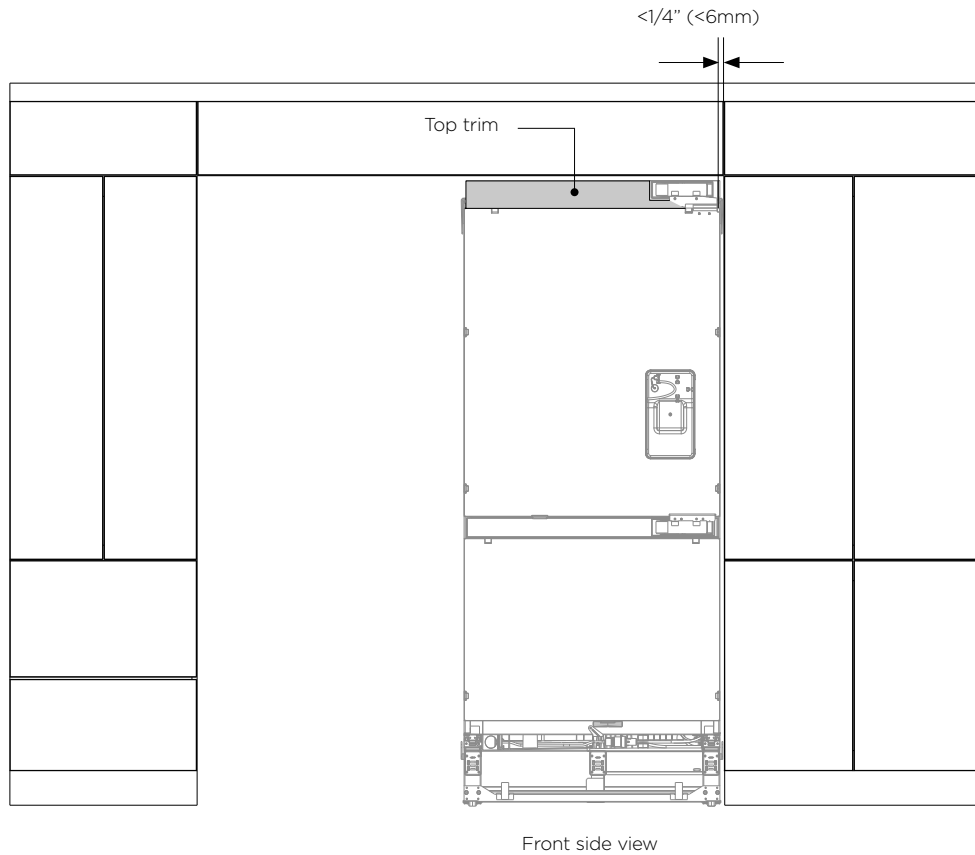
⑦ REMOVE HINGE BRACKET

IMPORTANT!

Follow these steps to remove the hinge bracket on the non-hinge side of both left and right hinge appliances.

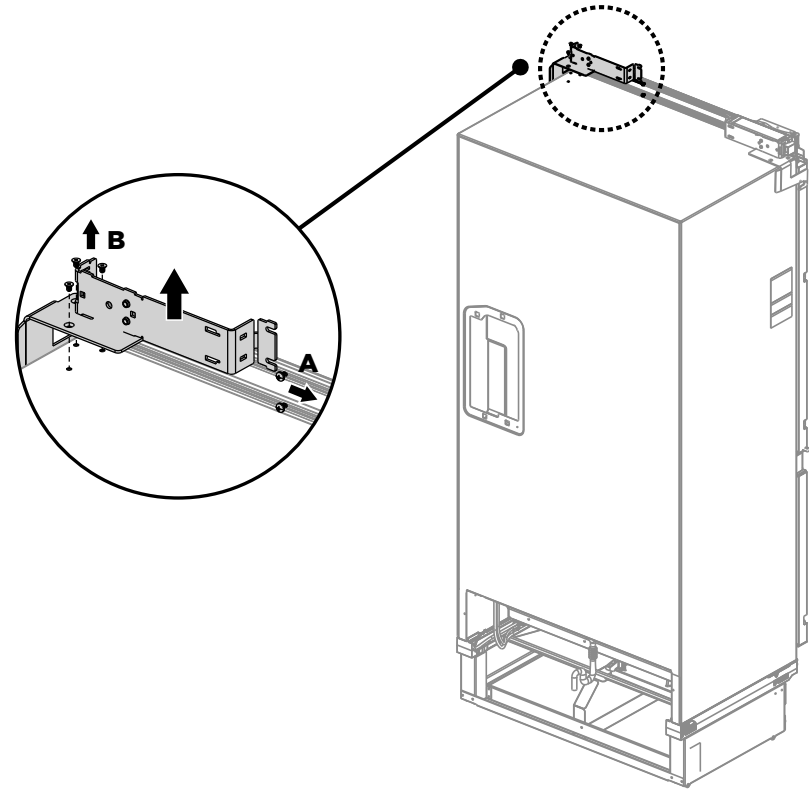
Removing hinge brackets from appliance

- ① Measure the distance between the end of the top trim and the side of the cabinet.
 - Ensure the distance is not greater than 1/4" (6mm).
 - If distance is greater than 1/4" (6mm), loosen the screws at the back of the trim and shift the trim sideways to suit.



Note: illustration above shows cavity for RS36W80/RS9120W model.

- ② At the non-hinge side of the appliance, loosen the M5x10 pan head attachment screws from the end of the top trim, and then shift the screws towards the centre of the trim. (A)



- ③ Unscrew the countersunk screws with a crosshead screwdriver to remove the hinge bracket from the appliance. (B)

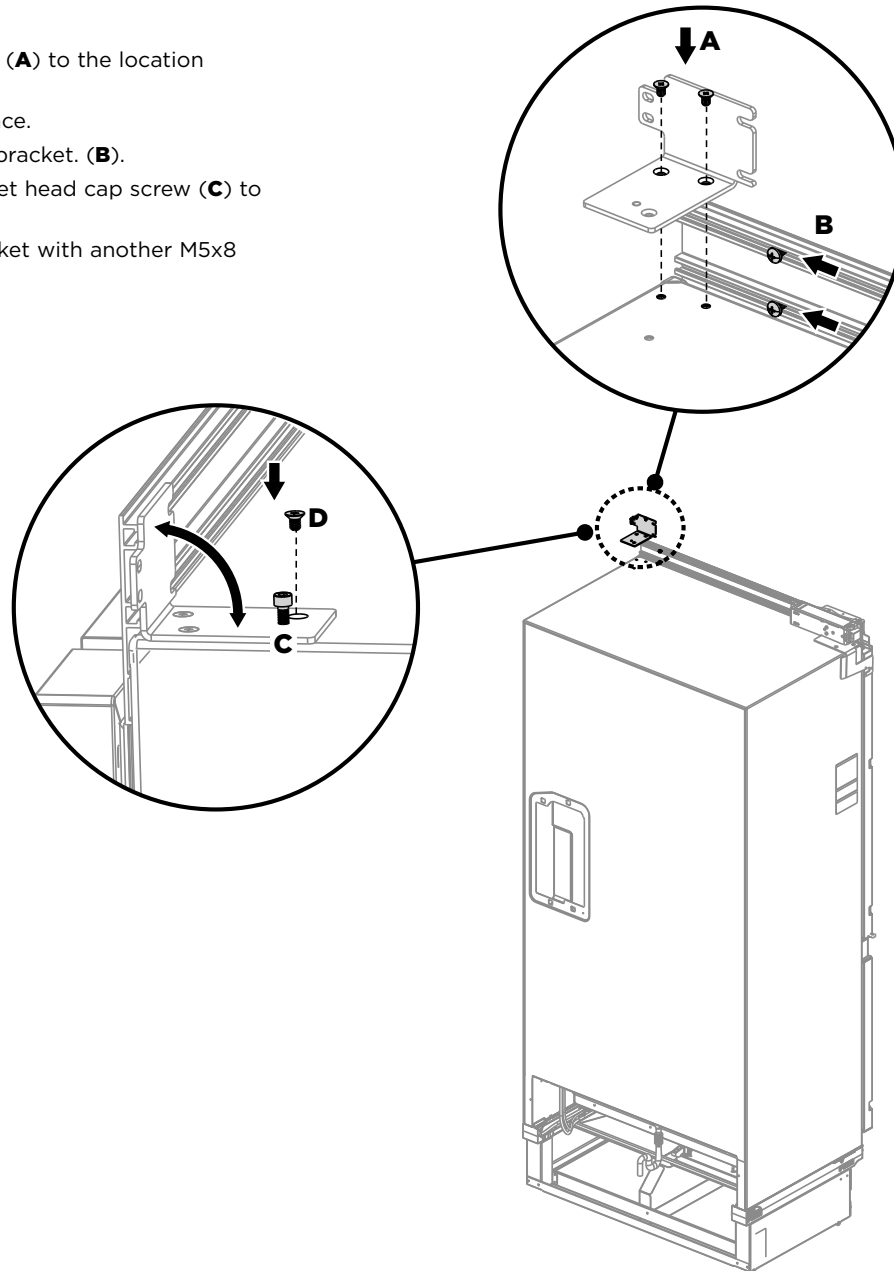
8 ATTACH CAVITY BRACKET

IMPORTANT!

Follow these steps for fitting the cavity bracket on the non-hinge side of both left and right hinge appliances.

Attaching cavity bracket to appliance

- ① Screw the cavity bracket with two M5x8 countersunk Phillips screws (A) to the location where the hinge bracket was removed.
 - Ensure that the top face of the front trim is parallel to the appliance.
- ② Shift the M5x10 pan head Phillips screws into the slots in the cavity bracket. (B).
 - If the front trim is not parallel to the appliance, screw M5x12 socket head cap screw (C) to adjust the trim position.
- ③ Once the top trim is parallel to the appliance, secure the cavity bracket with another M5x8 countersunk screw (D).



9 POSITION INTO THE CABINERY

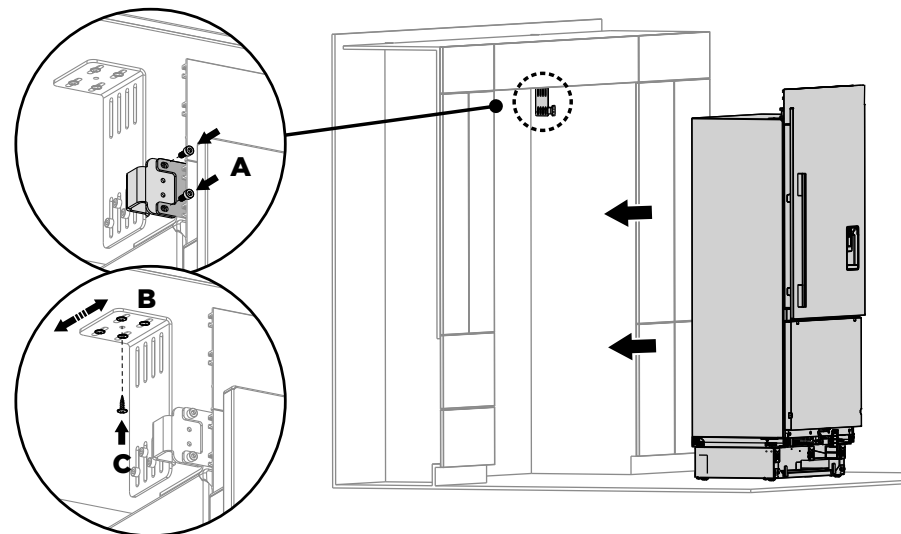
IMPORTANT!

- **DO NOT** install the appliance on a soft, uneven, or unlevelled floor to avoid twisting the appliance and poor door sealing.
- If using a Powered driver, use low torque setting to avoid damaging the height adjustment system.

- Ensure that the top, bottom and side gaps are not greater than 1/16" (1.5mm) to achieve correct alignment.
- Final alignment will be achieved once door panels have been installed and the appliance is pushed back to sit flush with the cabinetry.

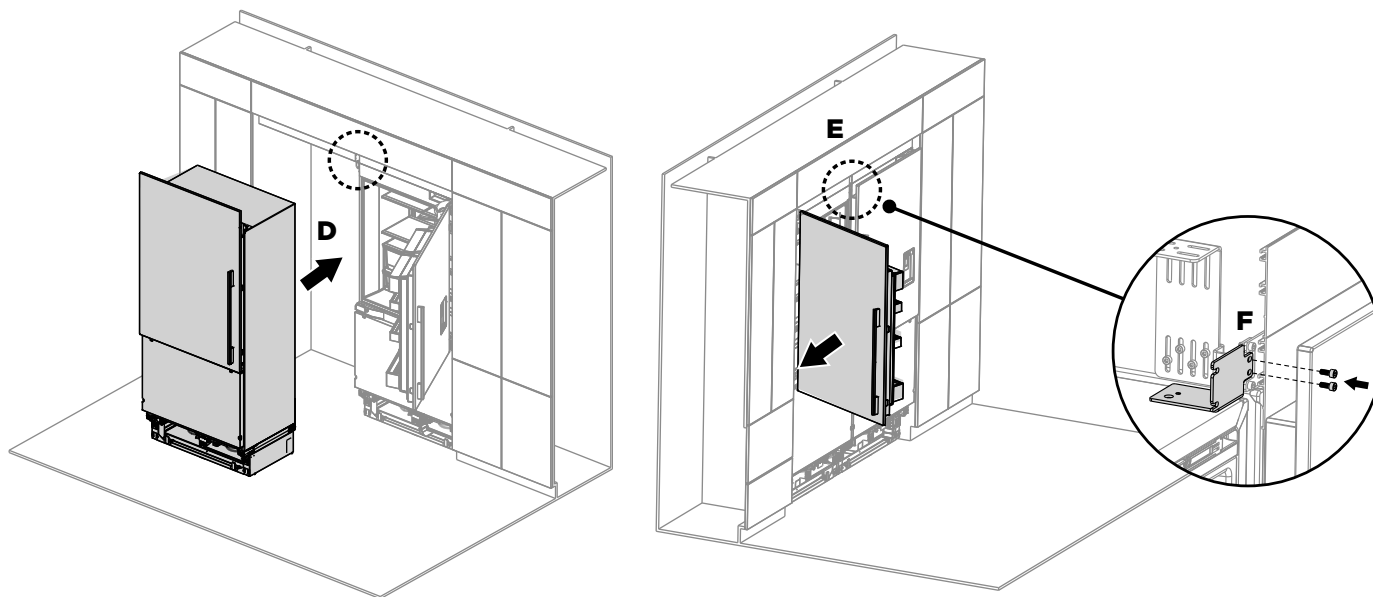
Positioning right hinge appliance into the cabinetry

- ① Coil the excess water hose and power cord flat behind the appliance.
- ② Push the right hinge appliance into the right hand side of the cavity until it makes contact with the joiner bracket.
- ③ Adjust the height of the appliance to align inside the cabinetry. Refer to 'Align appliance inside the cabinetry' in a separate 'Installation guide' supplied with your appliance.
- ④ Fasten the cavity bracket to the joiner bracket with two M5x12 socket head cap screws (A).
- ⑤ If the appliance is not flush, further loosen the top screws of the cavity attachment bracket if required and move the bracket in a forward to back motion to suit (B).
- ⑥ Recheck appliance flushness (refer to separate 'Installation guide' booklet supplied with your appliance). Once satisfied with flushness, tighten top screws fix an additional #8 x 16 mush washer screw (C).



Positioning left hinge appliance into the cabinetry

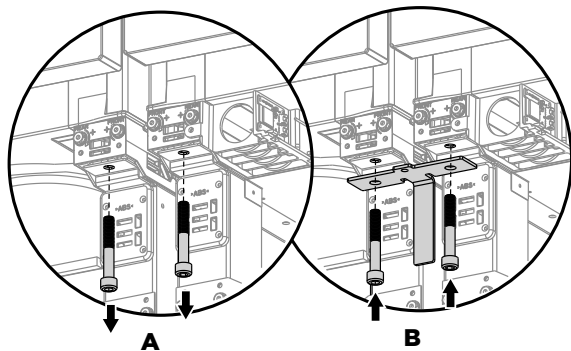
- ⑦ Coil the excess water hose and power cord flat behind the appliance.
- ⑧ Open the door of the right hinge appliance.
- ⑨ Push the left hinge appliance into the left hand side of the cavity until it makes contact with the joiner bracket. (D)
- ⑩ Open the left hinge appliance door to access the brackets (E).
- ⑪ Adjust the height of the appliance to align inside the cabinetry. Refer to 'Align appliance inside the cabinetry' in a separate 'Installation guide' supplied with your appliance.
 - Note: For clarity of drawing, top trims are not shown.
- ⑫ Fasten the cavity bracket to the joiner bracket with two M5x12 socket head cap screws (F).



Note: illustration above shows appliance with RD3684/RD9121 door panel.

Preparing the centre trim

- 1 Remove the M10x65 socket head cap screws from the base of the appliances. **(A)**
- 2 Attach the bottom joiner bracket using M10 x 65 Socket head cap screws. **(B)**
- 3 For 80" (2032mm) installation, cut centre trim using the same method as instructed for side trims. (Refer to 'Cabinet trims installation' in the Installation guide supplied with your appliance).
- 4 Mark out three locations **(C)** for the spring clips along the centre trim to match the foam pad locations on cabinet.
- 5 Insert right hand spring clip into the centre trim channel. **(D)**

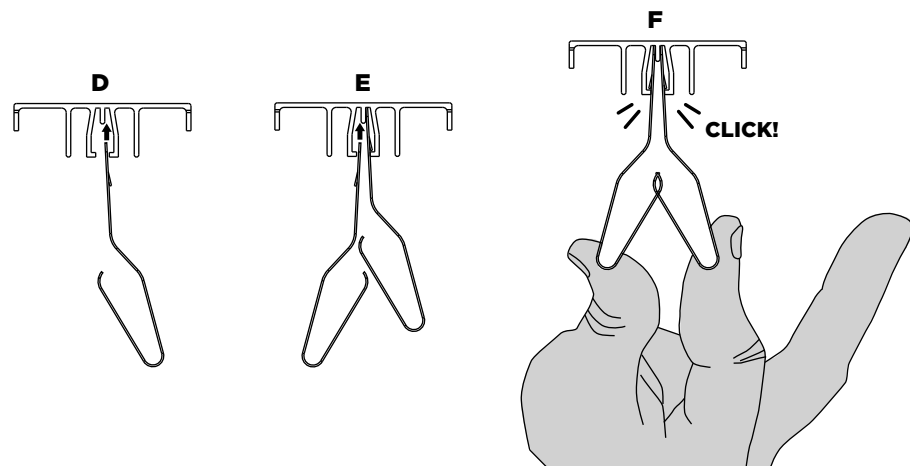
**IMPORTANT!**

Ensure the bottom of the right hand spring clip is located on the right hand side of the channel.

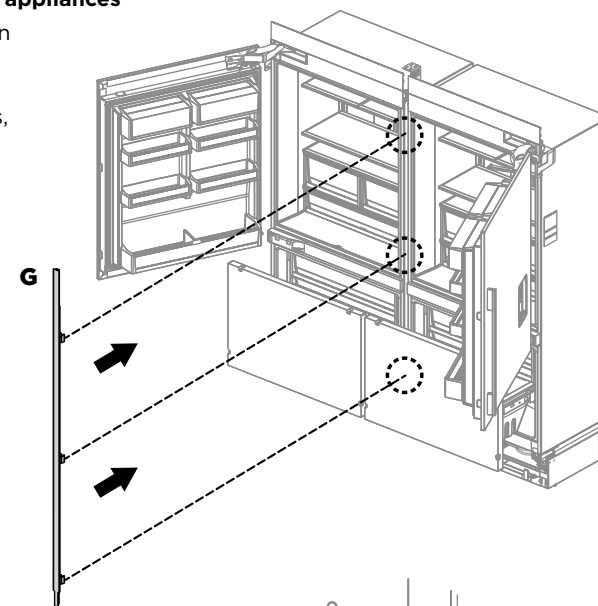
- 6 Insert the left hand spring clip into the centre trim channel. **(E)**
- 7 Before pushing the left hand spring clip all the way into the trim, squeeze the two spring clips together and push all the way through. You will hear the spring clips engage into the trim. **(F)**



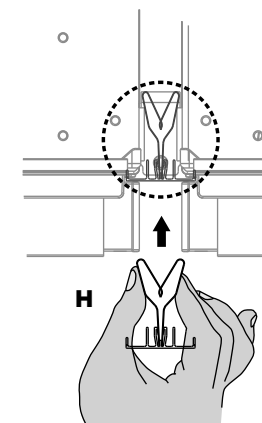
Repeat for the remaining two locations on the centre trim.

**Attaching the centre trim between appliances**

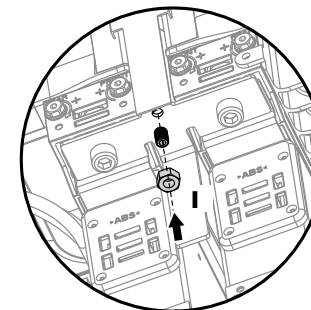
- 1 Open both appliance doors. Position the centre trim in front of the gap between the two appliances. **(G)**
- 2 Starting from the upper spring clips, squeeze the clips to slot between the two appliances **(H)**.



- 3 Repeat on the middle and then the lower clips.
- 4 Using the palm of your hand, push trim all the way down the length of the appliance.
- 5 Screw the M8 set screw into the threaded hole of the bottom joiner bracket to support the centre trim. This maintains the height position of the trim.



- 6 Once you are satisfied with the location of the centre trim, use the M8 nut to lock the set screw into location **(I)**.



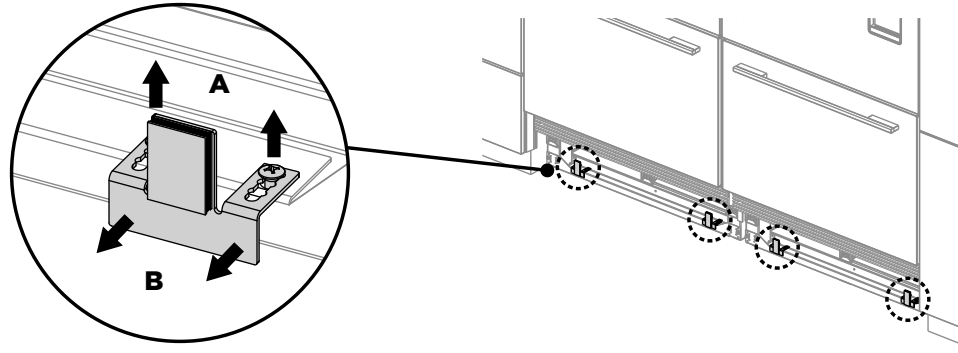
Note: illustration above shows appliance with RD3680/RD9120 door panel.

11 INSTALL TOE KICK

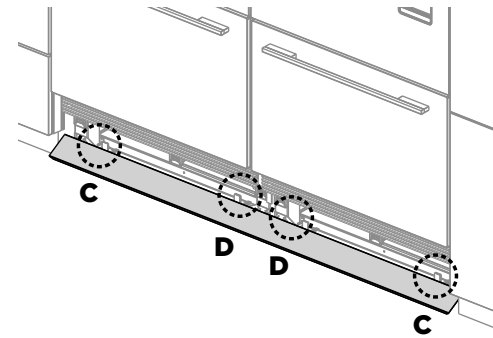
Installing the toe kick

- 1 Loosen the screws (**A**) of the toe kick bracket mid-way, and pull the bracket slightly outward (**B**).

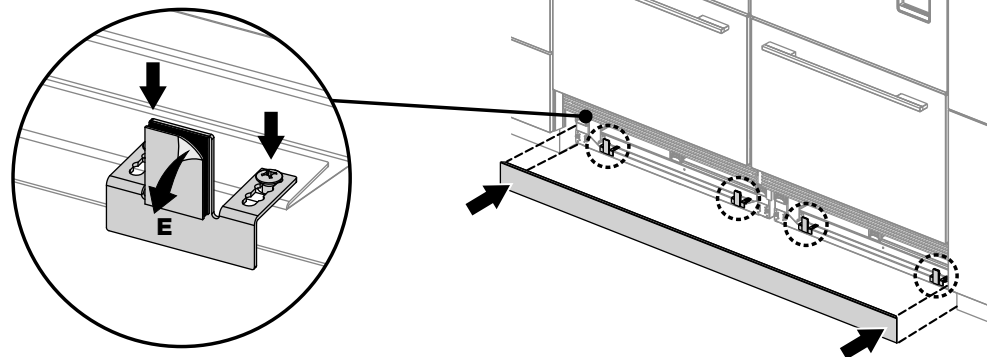
Do this step for both appliances.



- 2 Place toe kick over the brackets and position the outer brackets (**C**) until flush with surrounding cabinetry.
 - Use the folded edge of the supplied toe kick or another suitable straight edge to align the inner brackets (**D**).



- 3 Once aligned, remove the toe kick.
- 4 Lock the brackets into position by tightening the screws and remove the backing of the dual adhesive strip (**E**) of the brackets. Attach the toe kick to the adhesive surfaces of the Velco strips.



FISHERPAYKEL.COM

© Fisher & Paykel Appliances 2019. All rights reserved.
The appliance specifications in this document apply to the specific appliances and models described at the date of issue. Under our policy of continuous appliance improvement, these specifications may change at any time. You should therefore check with your Dealer to ensure this booklet correctly describes the appliance currently available.

NZ AU GB IE HK SG IN US CA

845689C 07.19